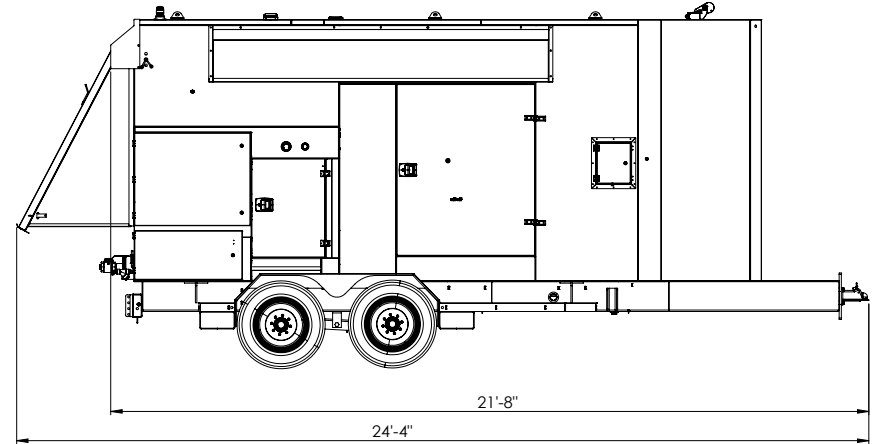
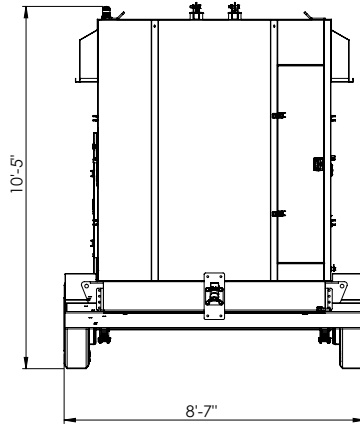




# 390kW 60Hz Oil and Gas Generator Set



For more information regarding equipment specifications, please reach out to a Mesa sales rep.

Genset Information	
Voltage	480 V
Frequency	60 Hz
NG PRP Rating	390 kW   488 kVA
LP PRP Rating	315 kW   394 kVA
Wet Weight	15732 lbs

Engine Information	
Model	Mesa GV22PU
Nameplate Rating	460 kW   617 hp
Speed	1,800 rpm
Displacement	21.9 L   1,336 in <sup>3</sup>
Cylinder Arrangement	12 Cylinders V-type
Aspiration Mode	Turbocharged

Fuel Consumption*		
Load %	NG Rating	LP Rating
100%	4,742,067 Btu/hr	3,841,674 Btu/hr
75%	3,724,507 Btu/hr	3,053,714 Btu/hr
50%	2,740,103 Btu/hr	2,306,604 Btu/hr

\* NG: HHV=1,041 Btu/scf (39 MJ/m<sup>3</sup>)  
 LP: HHV=2,538 Btu/scf (95 MJ/m<sup>3</sup>)

Control System	
Controller Type	DSE 8610 MKII
Synchronizing & Load Sharing	Yes
Telemetry & Remote Monitoring	Yes

Alternator	
Manufacturer	WEG
Model	AG10 280MI70AI
Rated Power Factor	0.8 PF
Rating	456 kW   570 kVA
Excitation Type	I-PMG (auxiliary coil)
Insulation Class	Class H
Temp. Rise / Ambient	125 / 40°C
Enclosure	IP23

Emission Control	
AFR Controller	Yes
NSCR Catalyst	Yes