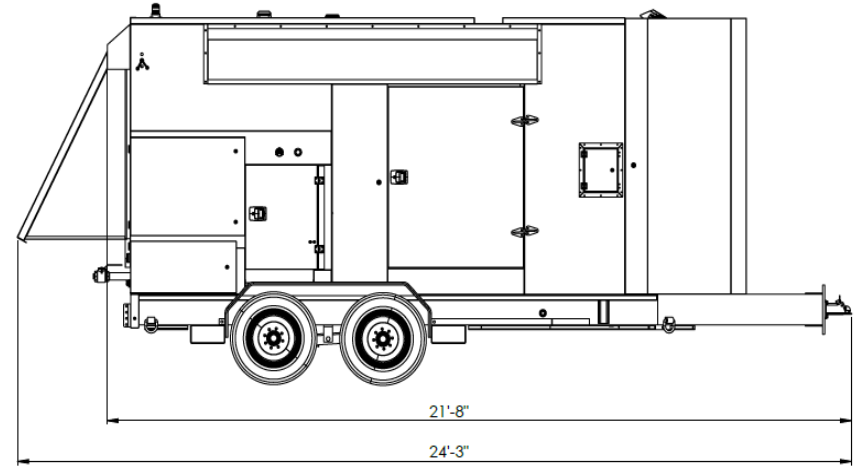
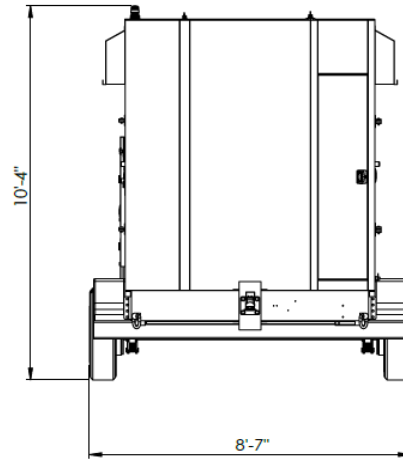




# 350kW 60Hz Oil and Gas Generator Set



For more information regarding equipment specifications, please reach out to a Mesa sales rep.

Genset Information	
Voltage	480 V
Frequency	60 Hz
NG PRP Rating	350 kW   438 kVA
LP PRP Rating	310 kW   388 kVA
Wet Weight	15,289 lbs

Engine Information	
Model	PSI 21.9L
Nameplate Rating	434 kW   581 hp
Speed	1,800 rpm
Displacement	21.9 L   1,336 in <sup>3</sup>
Cylinder Arrangement	12 Cylinders V-type
Aspiration Mode	Turbocharged

Fuel Consumption*		
Load %	NG Rating	LP Rating
100%	4,174,532 Btu/hr	3,826,061 Btu/hr
75%	3,273,382 Btu/hr	2,928,679 Btu/hr
50%	2,398,244 Btu/hr	2,143,244 Btu/hr
25%	1,549,117 Btu/hr	1,469,754 Btu/hr

\* NG: HHV=1,041 Btu/scf (39 MJ/m<sup>3</sup>)  
 LP: HHV=2,538 Btu/scf (95 MJ/m<sup>3</sup>)

Control System	
Controller Type	DSE 8610 MKII
Synchronizing & Load Sharing	Yes
Telemetry & Remote Monitoring	Yes

Alternator	
Manufacturer	Stamford
Model	S4L1D-G4 Wdg. 311
Rated Power Factor	0.8 PF
Rating	450 kW   563 kVA
Excitation Type	PMG
Insulation Class	Class H
Temp. Rise / Ambient	125 / 40°C
Enclosure	IP23

Emission Control	
AFR Controller	Yes
NSCR Catalyst	Yes