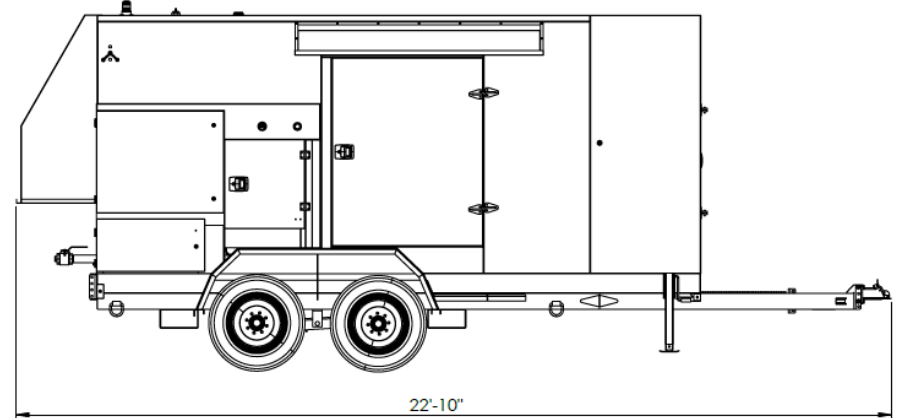
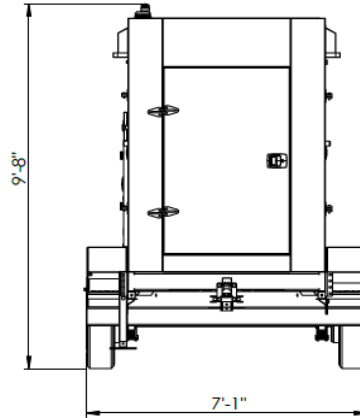


# 170kW 60Hz Oil and Gas Generator Set



For more information regarding equipment specifications, please reach out to a Mesa sales rep.

Genset Information	
Voltage	480 V
Frequency	60 Hz
NG PRP Rating	170 kW   212 kVA
LP PRP Rating	125 kW   156 kVA
Wet Weight	10,929 lbs

Engine Information	
Model	PSI 11.1L
Nameplate Rating	200 kW   268 hp
Speed	1,800 rpm
Displacement	11.1 L   673 in <sup>3</sup>
Cylinder Arrangement	6 Cylinders Inline
Aspiration Mode	Turbocharged

Fuel Consumption*		
Load %	NG Rating	LP Rating
100%	1,974,456 Btu/hr	1,571,514 Btu/hr
75%	1,544,200 Btu/hr	1,236,642 Btu/hr
50%	1,130,118 Btu/hr	917,954 Btu/hr
25%	732,208 Btu/hr	615,449 Btu/hr

\* NG: HHV=1,041 Btu/scf (39 MJ/m<sup>3</sup>)  
LP: HHV=2,538 Btu/scf (95 MJ/m<sup>3</sup>)

Control System	
Controller Type	DSE 8610 MKII
Synchronizing & Load Sharing	Yes
Telemetry & Remote Monitoring	Yes

Alternator	
Manufacturer	Stamford
Model	UCI274J Wdg. 311
Rated Power Factor	0.8 PF
Rating	240 kW   300 kVA
Excitation Type	PMG
Insulation Class	Class H
Temp. Rise / Ambient	125 / 40°C
Enclosure	IP23

Emission Control	
AFR Controller	Yes
NSCR Catalyst	Yes