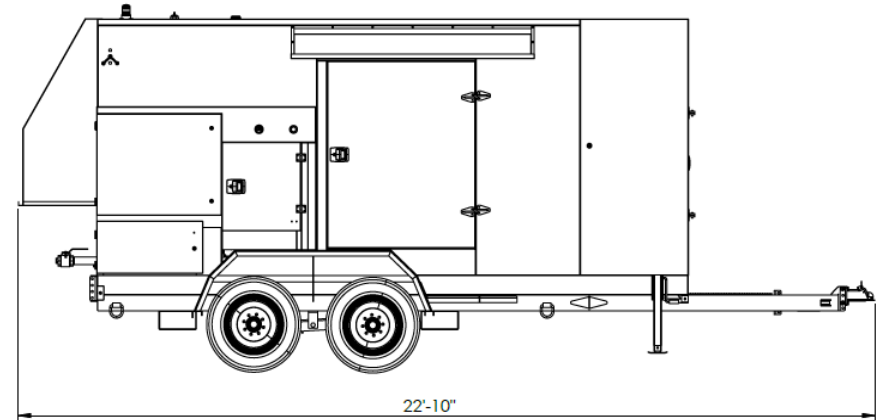
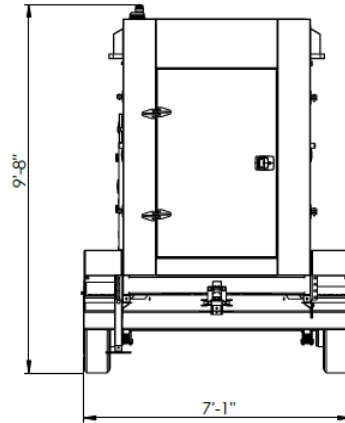


# 170kW 60Hz Commercial & Industrial Generator Set



For more information regarding equipment specifications, please reach out to a Mesa sales rep.

## Wiring Configurations

|                       | 480/277          | 208/120          | 240/120          | 240/120         |
|-----------------------|------------------|------------------|------------------|-----------------|
| Rated Voltage         | 480/277          | 208/120          | 240/120          | 240/120         |
| Winding Configuration | Hi-Wye           | Lo-Wye           | Delta            | Zig Zag         |
| Phase                 | 3                | 3                | 3                | 1               |
| Prime Power           | 170 kW   212 kVA | 170 kW   212 kVA | 170 kW   212 kVA | 92 kW   115 kVA |
| Rated Amps            | 255              | 589              | 511              | 479             |

## Fuel Consumption\*

| Load % | NG Rating        | LP Rating        |
|--------|------------------|------------------|
| 100%   | 1,974,456 Btu/hr | 1,571,514 Btu/hr |
| 75%    | 1,544,200 Btu/hr | 1,236,642 Btu/hr |
| 50%    | 1,130,118 Btu/hr | 917,954 Btu/hr   |
| 25%    | 732,208 Btu/hr   | 615,449 Btu/hr   |

\* NG: HHV=1,041 Btu/scf (39 MJ/m<sup>3</sup>)  
LP: HHV=2,538 Btu/scf (95 MJ/m<sup>3</sup>)

## Genset Information

|               |                  |
|---------------|------------------|
| Voltage       | 480 V            |
| Frequency     | 60 Hz            |
| NG PRP Rating | 170 kW   212 kVA |
| LP PRP Rating | 125 kW   156 kVA |
| Wet Weight    | 10,929 lbs       |

## Engine Information

|                      |                              |
|----------------------|------------------------------|
| Model                | PSI 11.1L                    |
| Nameplate Rating     | 200 kW   268 hp              |
| Speed                | 1,800 rpm                    |
| Displacement         | 11.1 L   673 in <sup>3</sup> |
| Cylinder Arrangement | 6 Cylinders Inline           |
| Aspiration Mode      | Turbocharged                 |

## Control System

|                               |               |
|-------------------------------|---------------|
| Controller Type               | DSE 8610 MKII |
| Synchronizing & Load Sharing  | Yes           |
| Telemetry & Remote Monitoring | Yes           |

## Emission Control

|                |     |
|----------------|-----|
| AFR Controller | Yes |
| NSCR Catalyst  | Yes |

## Alternator

|                      |                  |
|----------------------|------------------|
| Manufacturer         | Stamford         |
| Model                | UCI274J Wdg. 311 |
| Rated Power Factor   | 0.8 PF           |
| Rating               | 240 kW   300 kVA |
| Excitation Type      | PMG              |
| Insulation Class     | Class H          |
| Temp. Rise / Ambient | 125 / 40°C       |
| Enclosure            | IP23             |